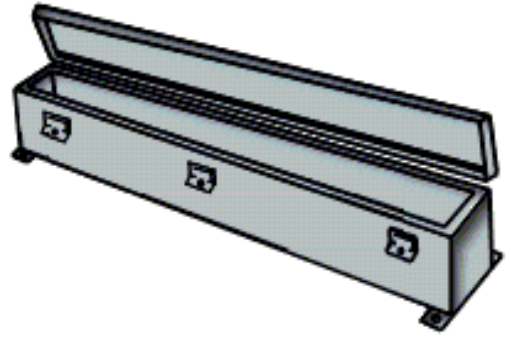




22133 Old Nacogdoches Rd. New Braunfels, Tx 78132



Standard Sizes

W	H	D	List	W	H	D	List
4	4	12	67.00	10	10	24	174.00
4	4	24	102.00	10	10	36	212.00
4	4	36	114.00	10	10	48	302.00
4	4	48	174.00	10	10	60	387.00
4	4	60	209.00	10	10	72	472.00
4	4	72	232.00	10	10	96	524.00
4	4	96	250.00	10	10	120	662.00
4	4	120	275.00				
				12	12	24	215.00
6	6	12	98.00	12	12	36	247.00
6	6	24	140.00	12	12	48	351.00
6	6	36	170.00	12	12	60	435.00
6	6	48	210.00	12	12	72	519.00
6	6	60	258.00	12	12	96	705.00
6	6	72	309.00	12	12	120	825.00
6	6	96	359.00				
6	6	120	399.00				
8	8	12	115.00				
8	8	24	144.00				
8	8	36	182.00				
8	8	48	225.00				
8	8	60	277.00				
8	8	72	336.00				
8	8	96	386.00				
8	8	120	436.00				

NEMA 4

Nema type 4 Hinged Cover, Clamp Cover Wireway

Application

NEMA Type 4 Hinged cover and clamp cover gutters are designed for use in areas that may be hosed down or extremely wet.

Construction

Made from Paint Grip Galvanized Steel in 14, 16 and 18 gauge. The seams are continuously welded. The wireways can also be painted. The covers are held shut by a continuous hinge and clamps. External feet for mounting are provided. The covers are also sealed by a neoprene gasket held in place by an oil resistant adhesive.

Finish

The Standard finish is ANSI Grey inside and out.

Industry standards

These screw cover enclosures conform to the standards set by the National Electrical Manufacturers Association for Type 4 (water tight and dust tight), Type 12 (industrial use) and Type 13 (oil tight and dust tight) enclosures. Also conforms to JIC standard EGP-1-1967.