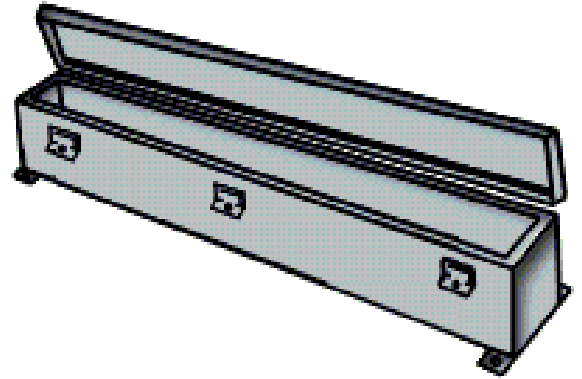




22133 Old Nacogdoches Rd. New Braunfels, Tx 78132



## Standard Sizes

W	H	D	List	W	H	D	List
4	4	12	75.00	10	10	24	184.00
4	4	24	115.00	10	10	36	226.00
4	4	36	129.00	10	10	48	328.00
4	4	48	194.00	10	10	60	420.00
4	4	60	234.00	10	10	72	515.00
4	4	72	259.00	10	10	96	560.00
				10	10	120	690.00
6	6	12	98.00				
6	6	24	150.00	12	12	24	230.00
6	6	36	180.00	12	12	36	260.00
6	6	48	220.00	12	12	48	380.00
6	6	60	278.00	12	12	60	470.00
6	6	72	335.00	12	12	72	560.00
				12	12	96	750.00
8	8	12	120.00	12	12	120	890.00
8	8	24	155.00				
8	8	36	195.00				
8	8	48	295.00				
8	8	60	360.00				
8	8	72	336.00				

## NEMA 12

### Nema type 12 Hinged Cover, Clamp Cover Wireway

#### Application

NEMA Type 4 Hinged cover and clamp cover gutters are designed for use in areas that need protection from dust, dirt, oil and water.

#### Construction

Made from Paint Grip Galvanized Steel in 14, 16 and 18 gauge. The seams are continuously welded. The wireways can also be painted. The covers are held shut by a continuous hinge and clamps. External feet for mounting are provided. The covers are also sealed by a neoprene gasket held in place by an oil resistant adhesive.

#### Finish

The Standard finish is ANSI Grey inside and out.

#### Industry standards

These screw cover enclosures conform to the standards set by the National Electrical Manufacturers Association for Type 12 (water tight and dust tight), Type 12 ( industrial use) and Type 13 ( oil tight and dust tight) enclosures. Also conforms to JIC standard EGP-1-1967.